

Set Up

Inside the Box

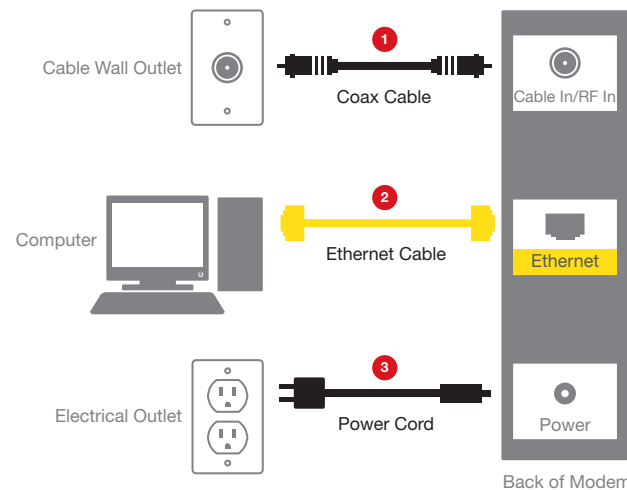
- XFINITY Digital Internet Modem
- Coax cables (20 ft. and 3 ft.)
- Ethernet cable
- Power cord
- Coax cable splitter (optional)
- Cable tacks (optional)
- Red XFINITY folder

Place Your Equipment



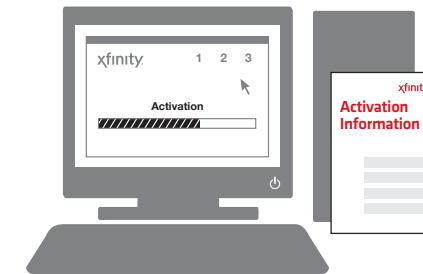
Connect & Power Up

1. Connect the coax cable from your cable wall outlet to the **Cable In/RF In** connection on the back of your modem. You only need one coax cable for this setup, so select the one which best suits your needs.
2. Plug one end of the Ethernet cable into the **Ethernet** connection on your computer and plug the other end into the **Ethernet** connection on the back of your modem.
Is your connection different? Information for this connection and for alternate connections is available in your User Guide in your red XFINITY folder.
3. Plug the power cord into the back of your modem, then into an electrical outlet. If your modem has a **Power** button, turn it on.
4. Before proceeding, wait for the online connection light on the front of your modem to stop flashing and remain solid. This light may be labeled *Online*, *Sync*, *Cable* or *Ready*. This process may take up to 10 minutes.
5. *Do you have other kits to set up?* If so, do that now.



Activate

- Do you have other kits to set up?* If so, do that now and then begin activation.
1. Have your Activation Information on hand. You can find this in your red XFINITY folder.
 2. Go online and you will automatically be connected to the XFINITY Activation Web page.
 3. Follow the instructions on the displayed screens.
- Or, if you would like to activate your new XFINITY Internet service using your phone, please call 1-800-931-0790.



Information on how to set up XFINITY Internet features, such as email and online security, is available in your User Guide in your red XFINITY folder.

- If your device is WiFi capable, you will find a Wireless Gateway Quick Start Guide in your red XFINITY folder that will step you through setting up your home network.