

# XFINITY® TV

## Digital Set-Top Box



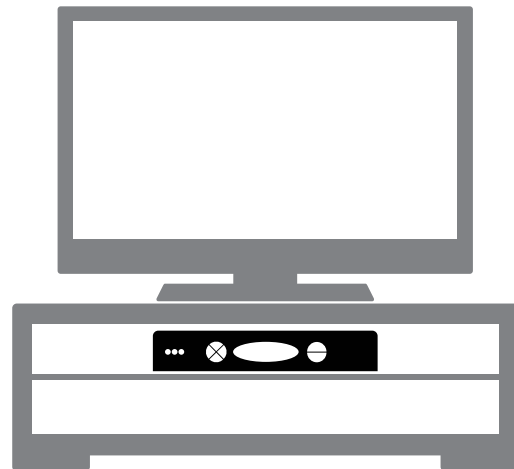
### Set Up

#### Inside the Box

- Digital Set-Top Box
- Universal remote with 2 AA batteries
- Coax cables (6 ft. and 3 ft.)
- High-Definition Multimedia Interface (HDMI) cable
- Power cord
- Red XFINITY folder

#### Place Your Equipment

Place your Digital Set-Top Box near your TV and in direct line of sight of your remote control.

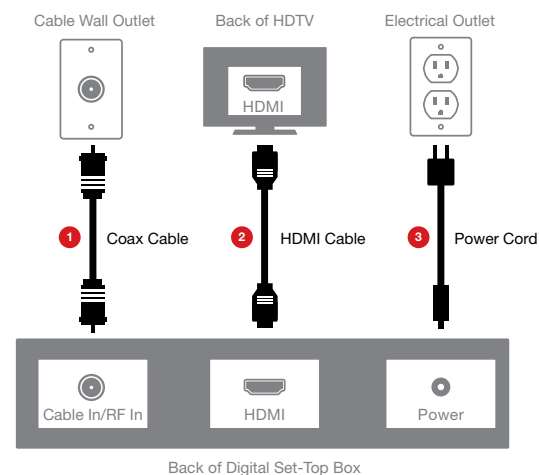


### Connect & Power Up

1. Connect the coax cable from your cable wall outlet to the **Cable In/RF In** connection on the back of your Digital Set-Top Box. You only need one coax cable for this setup, so select the one which best suits your needs.
2. Connect the HDMI cable from the **HDMI** connection on the back of your Digital Set-Top Box to the **HDMI** connection on the back of your High-Definition TV (HDTV).

*Is your connection different?* Information for this connection and for alternate connections is available in your User Guide in your red XFINITY folder.

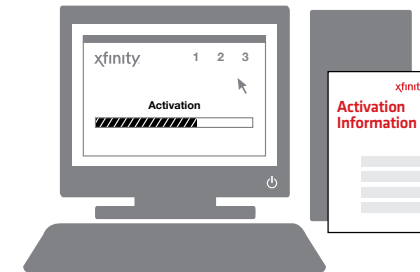
3. Plug the power cord into the back of your Digital Set-Top Box, then into an electrical outlet.
4. Turn your TV on.
5. Make sure that your TV input is set to the proper HDMI input. Your TV might have several HDMI inputs, so you may need to consult your TV's User Manual for help.
6. Place the batteries into your remote control. Press **Cable** and then **Power**.  
**IMPORTANT:** To enjoy full access to XFINITY TV, be sure to complete the Activation steps listed here.
7. *Do you have other kits to set up?* If so, do that now.



### Activate

*Do you have other kits to set up?* If so, do that now and then begin activation.

1. Have your Activation Information on hand. You can find this in your red XFINITY folder.
  2. Go online to [www.comcast.com/activate](http://www.comcast.com/activate) to be connected to the XFINITY Activation Web page.
  3. Follow the instructions on the displayed screens.
- Or, if you would like to activate your new XFINITY TV service using your phone, please call 1-888-270-6445.



**To program your remote control, refer to the instructions included with your remote. For quick programming instructions, refer to the steps below:**

1. Turn your TV on. Press the **TV** button on the top of the remote, then press and hold **Setup** until the **TV** button blinks twice.
2. Enter **9 - 9 - 1** and the **TV** button will blink twice.
3. Press and release **1** and the **TV** button will blink twice.
4. Point the remote at the TV, press and release the **Power** button, then press the **CH+** button multiple times until the TV turns off.
5. Press **Setup** once to lock in the code and the **TV** button will blink twice.

**If you need more help, please refer to the User Guide included with the remote or go to [www.comcast.com/remotes](http://www.comcast.com/remotes)**